



An American company
with CMMC + ITAR
certified facilities



Military Drone Connectivity Solutions

Infinite Electronics is an American company that helps accelerate prototyping, ensure mission-readiness, and build at scale with reliable, spec-compliant electronic components.



SPEED

Accelerate Speed To Market

Fast lead times to meet your demands from prototype through production.



RELIABILITY

Reliable and Efficient Supply Chain

US-based company with long business history servicing military and military contractors.

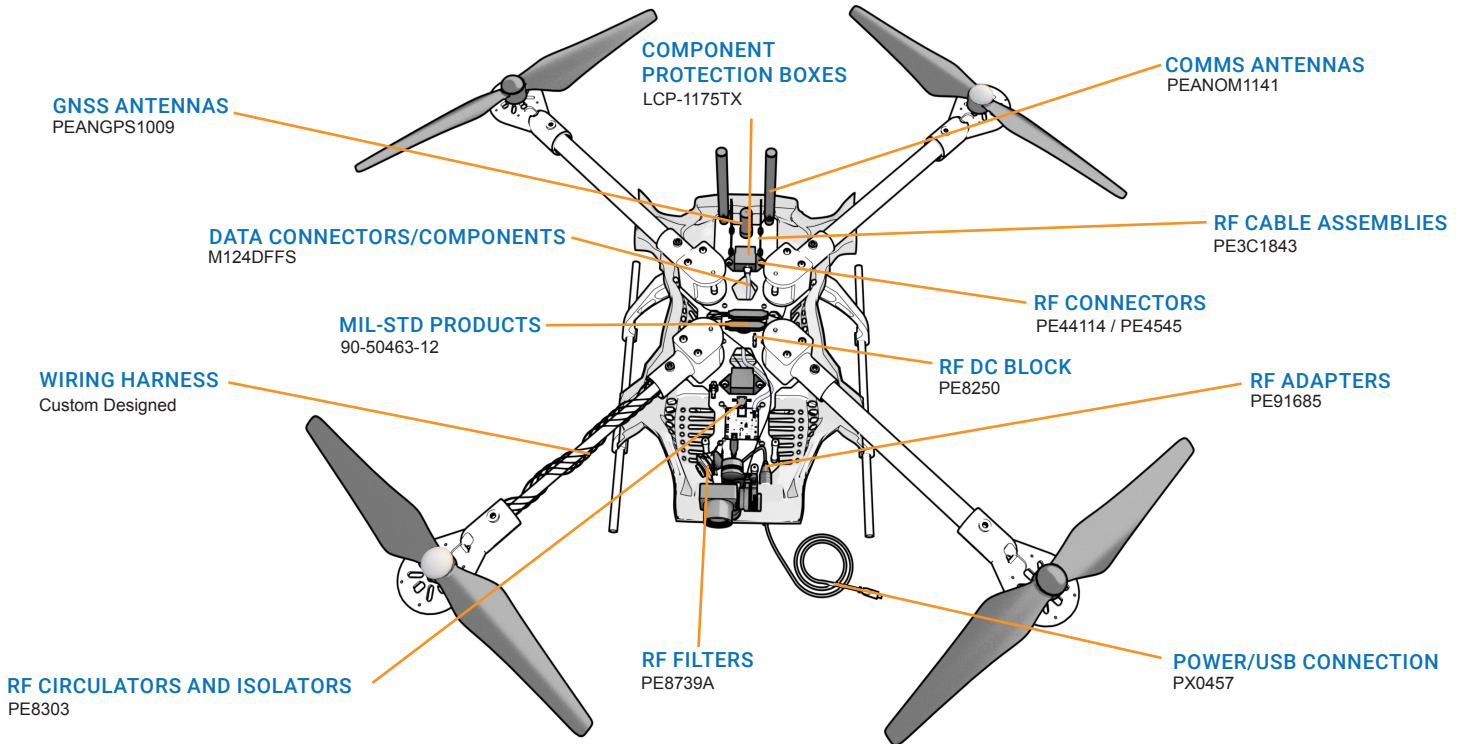


COMPLIANCE

Meet Compliance Requirements

Thousands of MIL-SPEC and TAA-compliant products.

A Complete Solutions Portfolio for Drones



Thousands of MIL-STD + TAA Products, Including Customs



ANTENNAS



FIBER OPTIC



RF CABLE ASSEMBLIES



RF CONNECTORS



MIL-STD-1553



DATA CABLES, CONNECTORS & ADAPTERS



RF ADAPTERS



WIRE HARNESSES

FOR DESIGN SUPPORT AND TECHNICAL GUIDANCE, CONTACT:

dronesupport@infiniteelectronics.com | +1 (866) 445-7162

INFINITE
ELECTRONICS, INC.